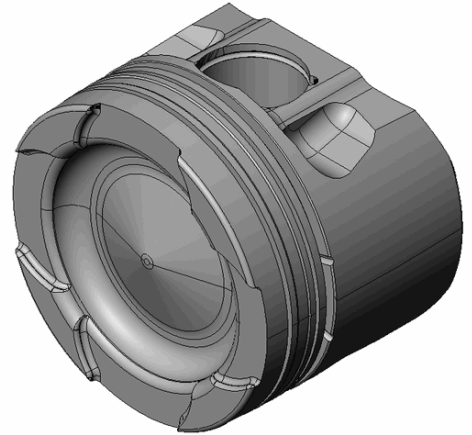


CUSTOMER INFORMATION

CUSTOMER NAME:	
PO NUMBER:	
JOB NUMBER:	
DATE PRINTED:	9/18/2020
PART NUMBER:	DH7127



ENGINE SPECIFICATION

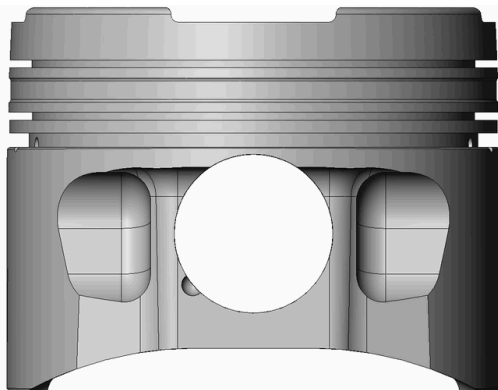
MOTOR:	Cummins	HEAD:	ISB-CR 24V	COMP RATIO:	14.5:1	ROD LENGTH:	8.335
MOTOR SIZE:	6.7L	HEAD CC:	6	BLOCK HEIGHT:	12.708	TOP RING RADIAL:	.173
BORE:	4.233	INT VALVE DIA:	1.496	GASKET THK:		2 nd RING RADIAL:	.191
STROKE:	4.882	EXT VALVE DIA:	1.496	DECK CLEARANCE:	.000	OIL RING RADIAL:	.154

PISTON SPECIFICATION

FORGING#:	DSL104	DISH/DEPTH:	-.515	PIN DIAMETER:	1.358
DOME HEIGHT:	.000	CAM PROFILE:	CP2DSL	PIN FIT TO:	1.3592
DOME/DISH VOL:	-59.830	TOP LAND VOL.:	-4.340	PISTON TO CYL CLEAR:	.0100
				PIN LENGTH:	3.155

RING DATA	GROOVE WIDTH		GROOVE DIAMETER	
	INCH	METRIC	INCH	METRIC
TOP RING	.0640	1.6764	3.7810	96.0374
2 ND RING	.0640	1.6764	3.7790	95.9866
OIL RING	.1190	3.0734	3.8330	97.3582

VALVE RELIEF	INTAKE		EXHAUST	
	INCH	METRIC	INCH	METRIC
POCKET DEPTH				
POCKET ANGLE				
POCKET DIA.				



COATINGS:	Entire Piston Type III (Green) Anodize
-----------	---

PISTON WEIGHT:	950
----------------	------------

COMPRESSION HEIGHT:	1.932	CENTER OF PIN TO DECK
---------------------	--------------	------------------------------

TURN DIA:	4.2230
-----------	---------------

GAUGE POINT:	.400	INCHES UP FROM BOTTOM OF SKIRT
--------------	-------------	---------------------------------------