

CUSTOMER INFORMATION

CUSTOMER NAME:	
PO NUMBER:	
JOB NUMBER:	
DATE PRINTED:	6/4/2021
PART NUMBER:	S9861



ENGINE SPECIFICATION

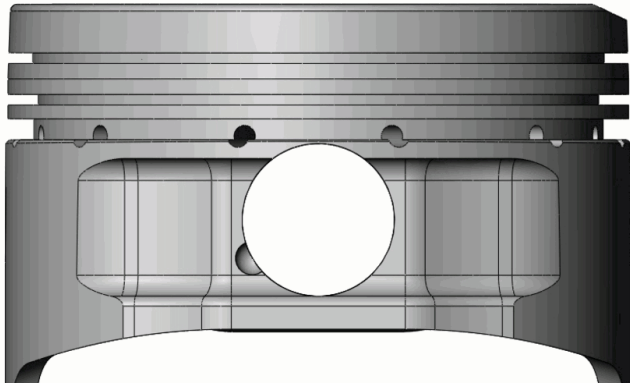
MOTOR: Ford V8 Small Block	HEAD: Misc.	COMP RATIO:	ROD LENGTH:
MOTOR SIZE: 4.6 Liter V-8	HEAD CC:	BLOCK HEIGHT:	TOP RING RADIAL:
BORE: 3.552	INT VALVE DIA:	GASKET THK:	2 nd RING RADIAL:
STROKE:	EXT VALVE DIA:	DECK CLEARANCE:	OIL RING RADIAL:

PISTON SPECIFICATION

FORGING#: 46	DISH/DEPTH: -.090	PIN DIAMETER: .866
DOME HEIGHT: .000	CAM PROFILE: CP32	PIN FIT TO: .8668
DOME/DISH VOL: -9.940	TOP LAND VOL.: -1.380	PISTON TO CYL CLEAR: .0035
		PIN LENGTH: 2.500

RING DATA	GROOVE WIDTH		GROOVE DIAMETER	
	INCH	METRIC	INCH	METRIC
TOP RING	.0600	1.524	3.2400	82.296
2 ND RING	.0600	1.524	3.1780	80.7212
OIL RING	.1190	3.0226	3.2280	81.9912

VALVE RELIEF	INTAKE		EXHAUST	
	INCH	METRIC	INCH	METRIC
POCKET DEPTH	-.0900	-2.286	.0000	.000
POCKET ANGLE	5.000°			
POCKET DIA.	1.6500	41.910		



COATINGS:	-
-----------	---

PISTON WEIGHT:	360
----------------	-----

COMPRESSION HEIGHT:	1.220	CENTER OF PIN TO DECK
---------------------	-------	-----------------------

TURN DIA:	3.5485
-----------	--------

GAUGE POINT:	.500	INCHES UP FROM BOTTOM OF SKIRT
--------------	------	--------------------------------